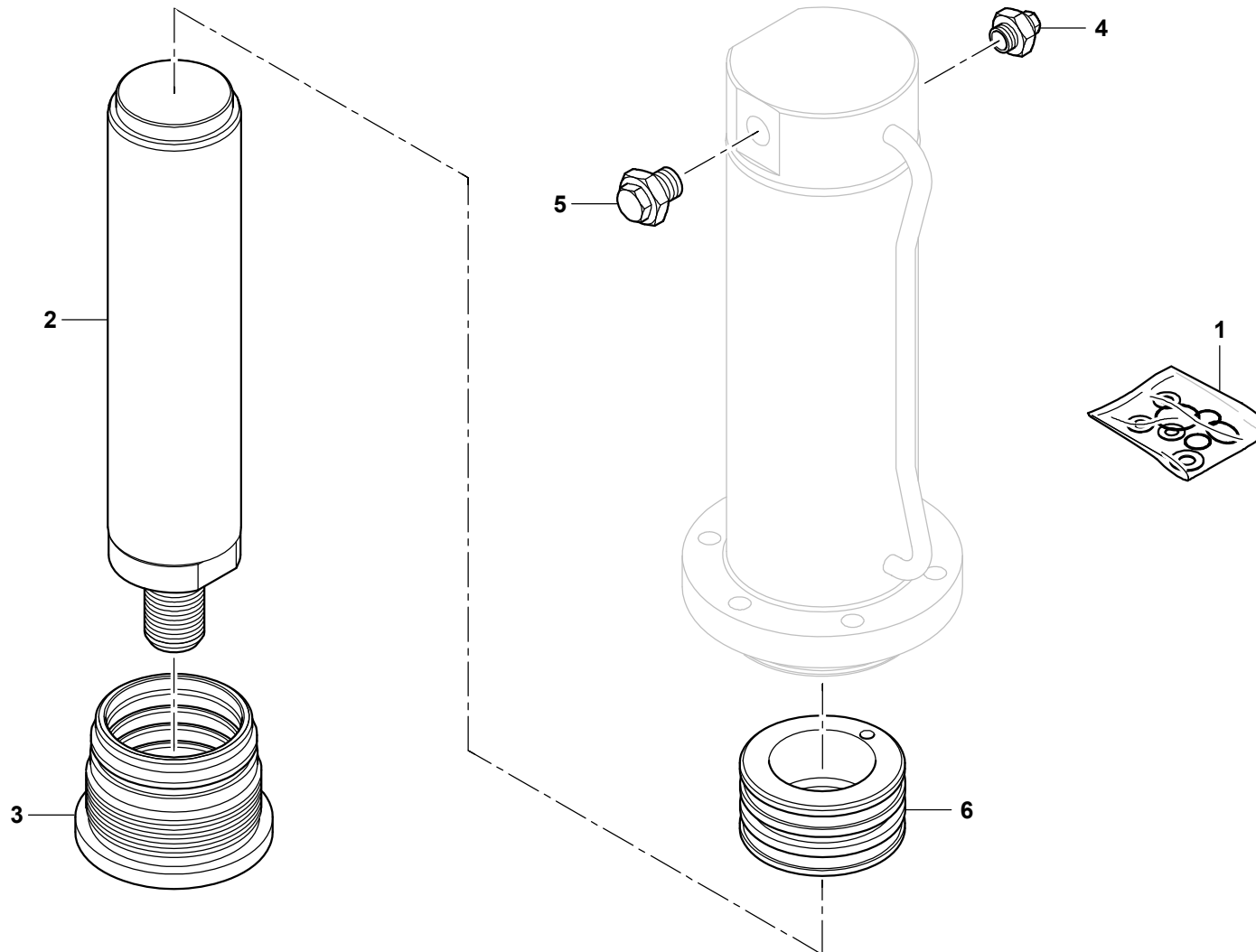


GROVEDIFFERENTIALZYLINDER
DIFFERENTIAL CYLINDERBILDТАFEL
PICTORIAL DISPLAY**GMK 6300**
BE 770
G 000

03.15

3273832-ETL B

1/1



3273832-B-BL01-0315-0000